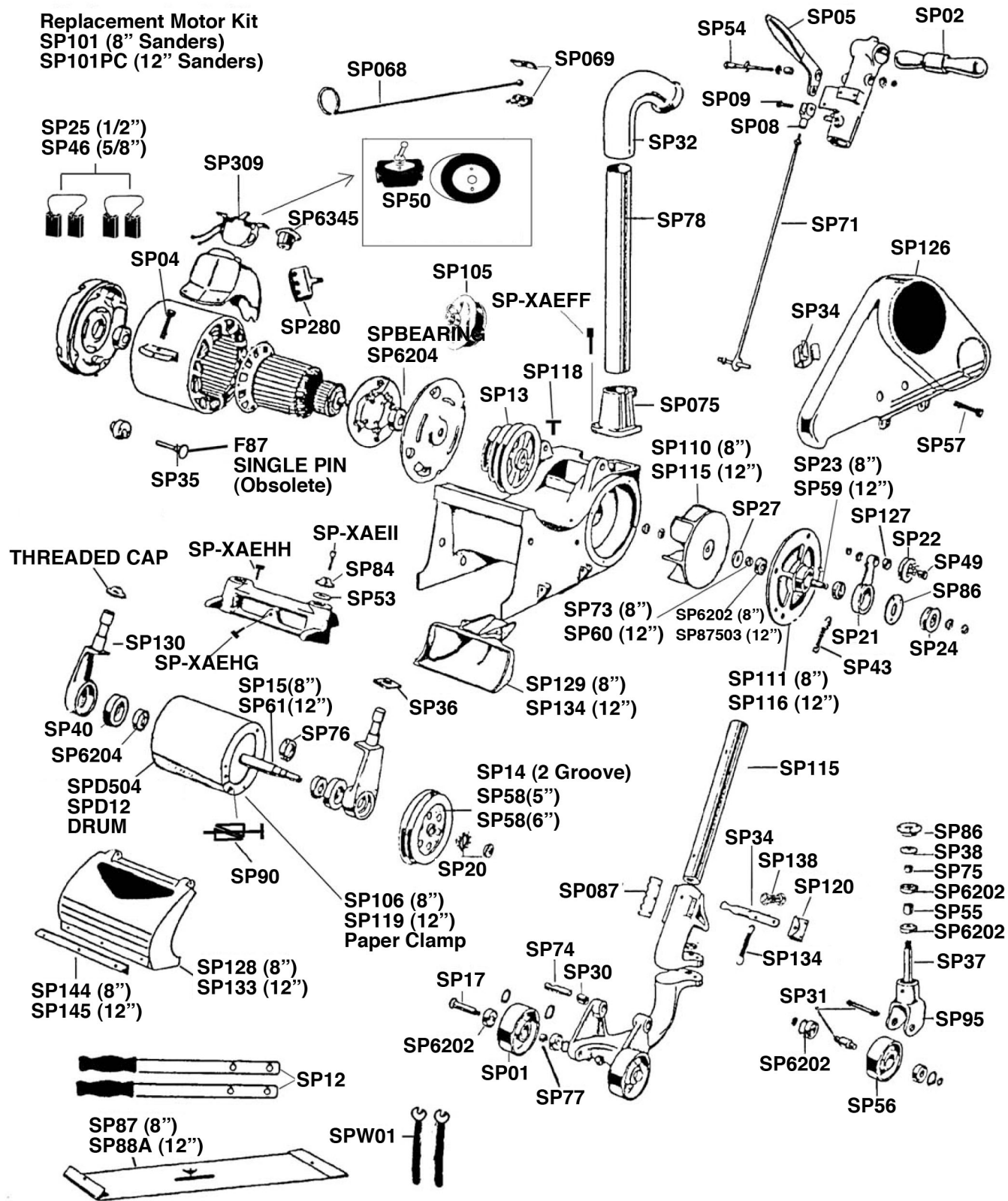


Clarke 504 & 12" Portercable

most parts also fit Portercable F87 & Galaxy 506

Replacement Motor Kit
 SP101 (8" Sanders)
 SP101PC (12" Sanders)



Part	Description	Part	Description
SP6202	Bearing	SSP53	Rubber Washer Set
SP6205	Bearing	SP54	Handle Stud
SP6345	Inlet 250v 30amp	SP55	Long Collar
SP87503	Bearing	SP56	Rear Wheel Assembly
SP34	Clip, Side Cover	SP57	Side Cover Screw
SP86	Retainer, Bearing	SP58(5")	Drum Pulley 5"
SPD504	8" Recovered Clarke 504 Drum	SP58(6")	Drum Pulley 6"
SP01	Side Wheel	SP59	Fan Shaft
SP02	Wooden Handle	SP60	Fan COLLAR
SP04	Screw, Motor, 504	SP61	12" Drum Shaft
SP05	Control Handle	SP71	Control Rod
SP08	Control Rod Fork	SP73	Spacer, Fan Collar (f89 & 504)
SP09	Fork Pin	SP74	Fulcrum
SP101	504 Bald Motor Kit 1740 rmp 4hp	SP75	Caster Bearing Spacer
SP101PC	12" Motor Kit 1740rpm Baldor	SP76	Drum Spacer
SP105	Plug Clean Out	SP77	Side Wheel Spacer
SP106	Clamp, Drum 504	SP78	Dust Pipe
SP110	Vacuum Fan 504 8"	SP84	Drum Arm Washer
SP111	Fan Housing 504	SP87	Template 8" (504)
SP115	12" Clarke Fan	SP88A	Template 12" Adjustable (CS12)
SP116	12" Clarke Fan Housing	SP90	Drum Wedge Kit
SP118	Spade Screw	SP96	Yoke
SP119	12" CF Paper Clamp	SP068	Rod, Cable Support
SP12	Carry Handles	SP069	Cable Bracket Assembly
SP126	Belt Guard 504	SP075	Bracket
SP127	Spacer	SP087	Pressure Control
SP128	Cover 504	SP115	Tube, Handle
SP129	Dust Pan 504 & 506	SP120	Bracket, Pressure Lever
SP13	Motor Pulley 3 Groove	SP134	Spring, Pressure Control
SP130	Right Arm, PC12	SP280	Switch 110/220
SP133	Drum Cover 12	SP309	Switch 20 Amp
SP134	12" Dust Pan	SPD12	12" Recovered PC Drum
SP138	Lever Stud	SP25	Motor Brushes (Set of 2)
SP14	Drum Pulley (2-Groove)	SPW01	Wrenches (Set of 2)
SP144	Bumper F89 & 504	SPBEARING	Bearing
SP145	Bumper 12	SP-XAEFF	Screw, socket, 1/4-20 x .75
SP15	Drum Shaft 504	SP-XAEHG	Screw, socket, 3/8-16 x 1
SP17	Side Wheel Axle	SP-XAEHH	Screw, socket, 8/8-16 x 1.25
SP18	Bearing Retainer Ring 504	SP-XAEII	Screw, socket, 7/16-14 x 1.5
SP20	Nut & Washer		
SP21	Idler Arm		
SP22	Idler Pulley		
SP23	Fan Shaft		
SP24	Fan Pulley		
SP27	Fan Seal		
SP30	Chassis Bearing 504, CF12		
SP31	Axle Assembly		
SP32	Dust Pipe Elbow 504, CF12		
SP34	Tension Lever		
SP35	Motor Pin		
SP36	Shock (Set of 2)		
SP37	Pivot Bolt		
SP38	Caster Seal		
SP43	Spring, Idler		
SP46	Motor Brushes (Set of 2)		
SP49	Idler Pulley Shaft		